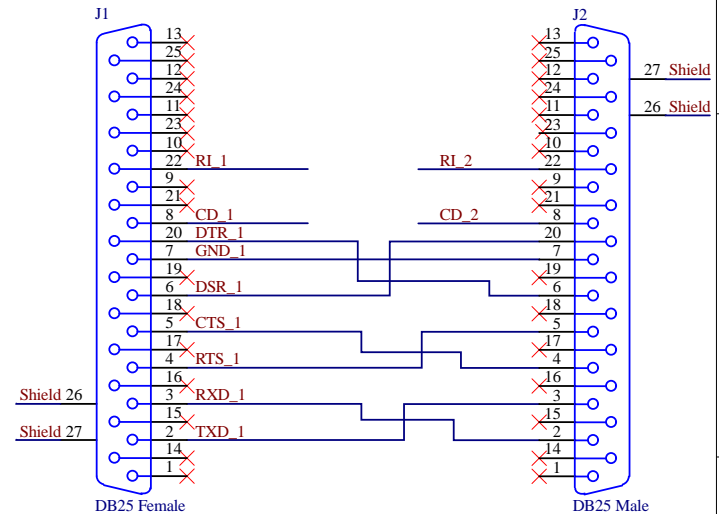
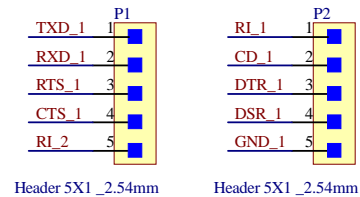
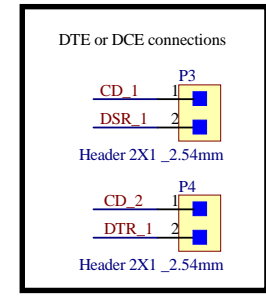
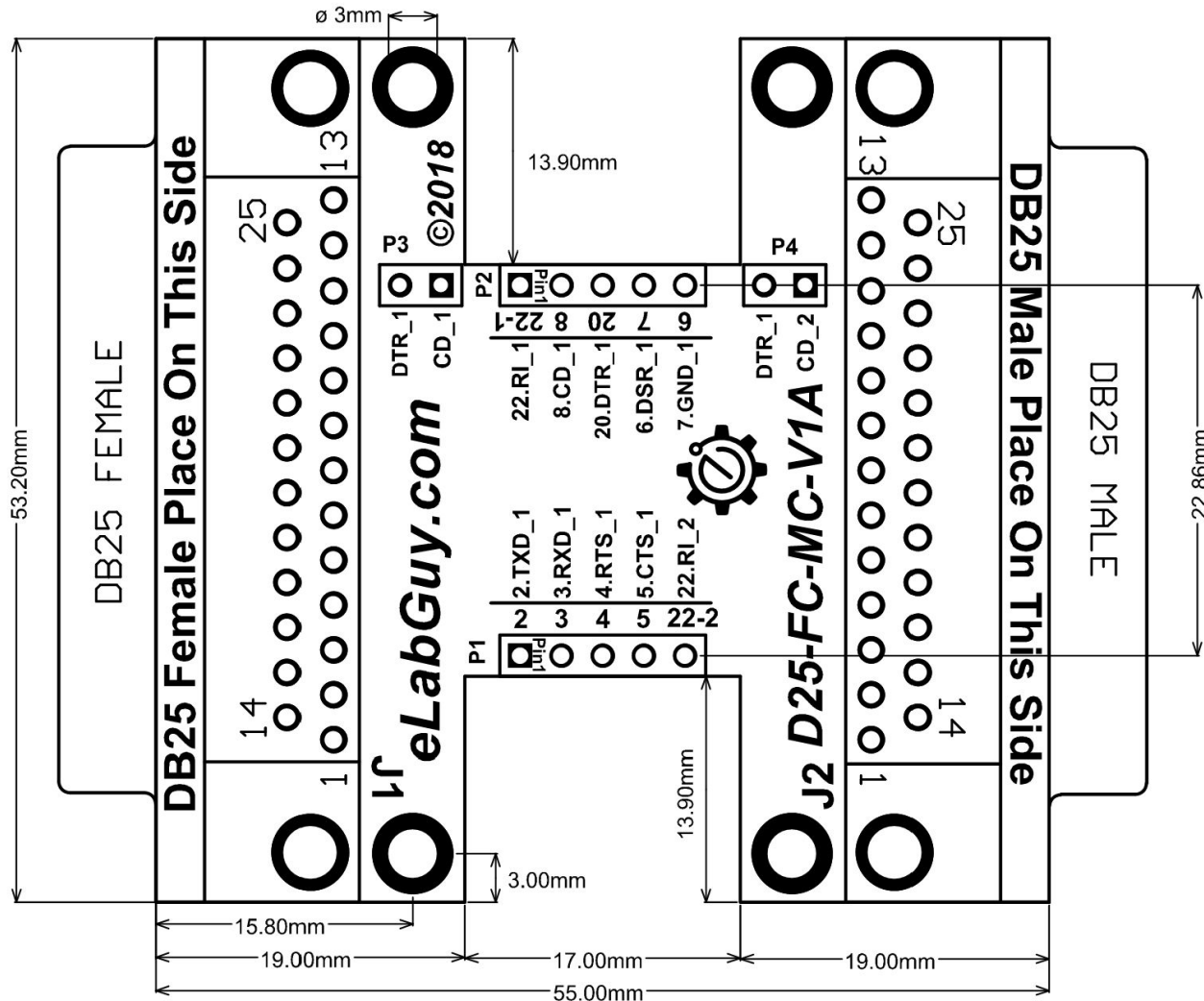


***PCB 1.6mm THICKNESS**



Title			DB25 Crossover		
Size	Number	Revision			
A4	D25-FC-MC-V1A	1A			
Date:	10/14/2018	Sheet	of		
File:	C:\Users\...\D25-FC-MC-V1A.SchDoc	Drawn By:	www.eLabGuy.com		